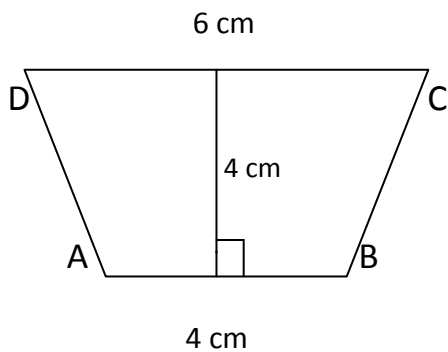


Student Name: \_\_\_\_\_

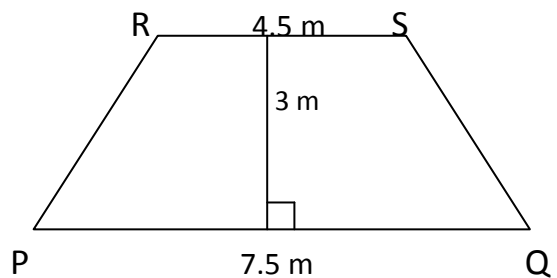
Score: \_\_\_\_\_

**Area of Trapezoid**

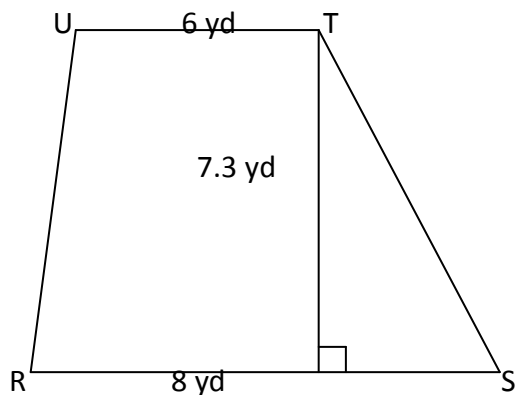
Find the area of the following trapezoids:



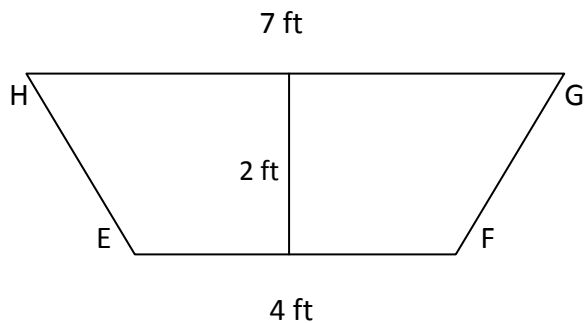
Area of ABCD = \_\_\_\_\_



Area of PQRS = \_\_\_\_\_



Area of RSTU = \_\_\_\_\_

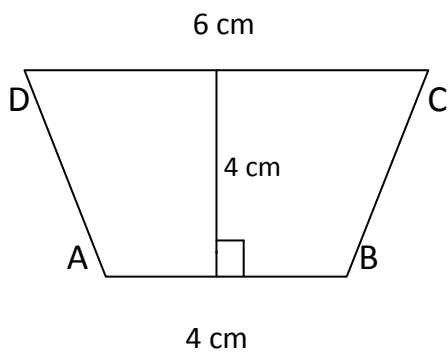


Area of EFGH = \_\_\_\_\_

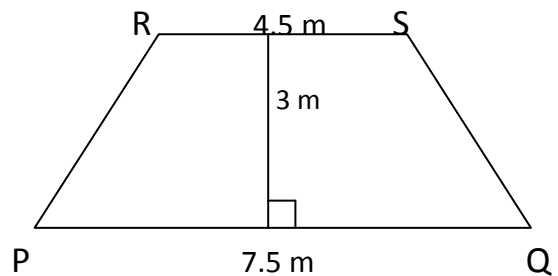
Student Name: \_\_\_\_\_

Score: \_\_\_\_\_

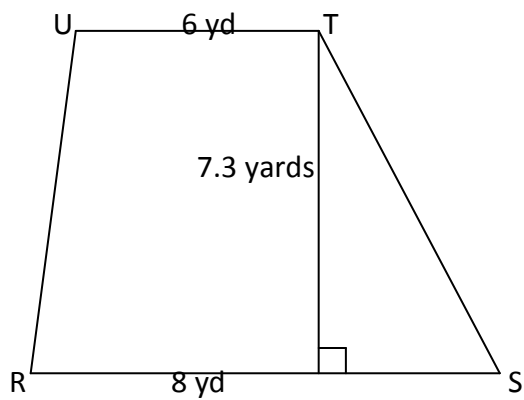
### Answers



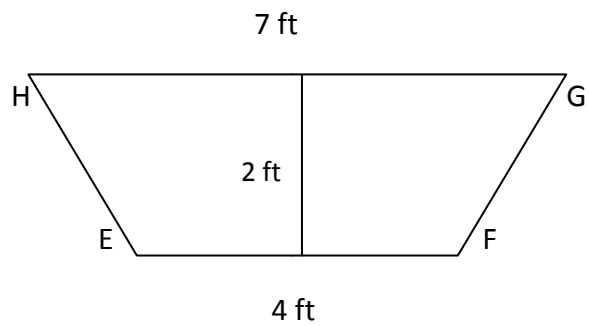
Area of ABCD =  $20 \text{ cm}^2$



Area of PQRS =  $18 \text{ m}^2$



Area of RSTU =  $51.1 \text{ yd}^2$



Area of EFGH =  $11 \text{ ft}^2$