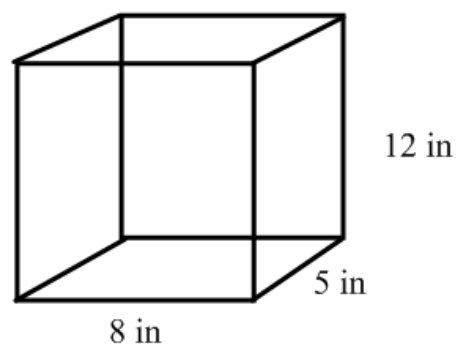
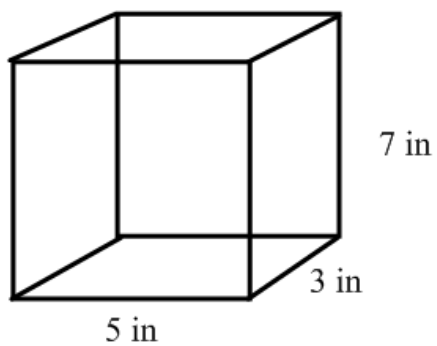


Find the Volume



Find the Area

