

## Reducing Fractions & Volume of a Figure

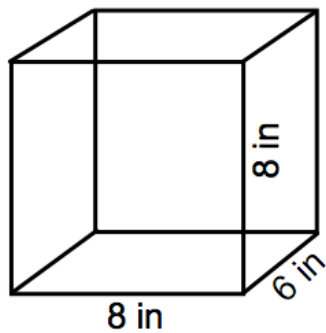
Reduce each fraction to lowest terms.

$$\frac{15}{35}$$

Reduce each fraction to lowest terms.

$$\frac{18}{21}$$

Practice - Find the Volume



Practice -

