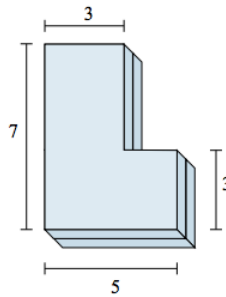


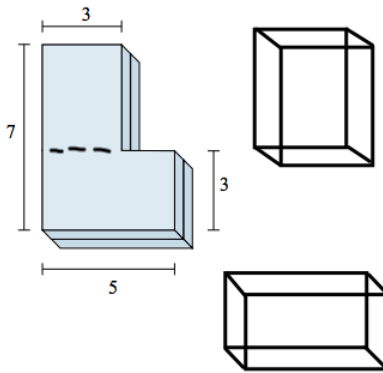
Volume of Complex Shapes

1) _____ the figure into _____ prisms.

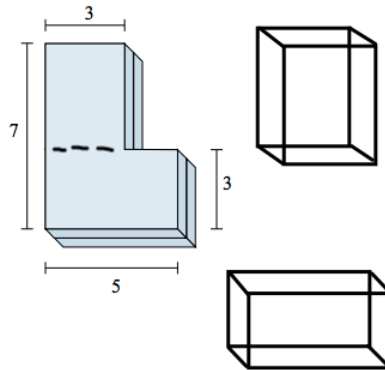
Remember, you can split the figure _____ or _____.



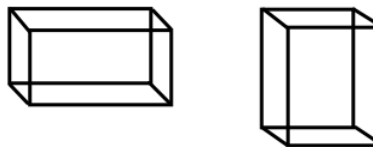
2) Identify the _____, the _____, and the _____ of each figure.



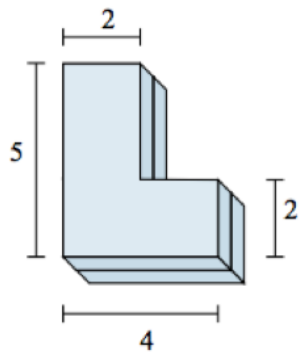
3) Figure out the _____ of each figure.



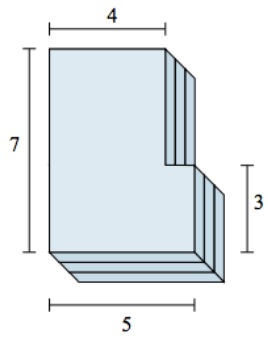
4) _____ the volume of each figure _____.



Practice:



Practice:



Practice:

